

KS-M Mechanical Server Cabinet Lock

Cam activated swing handle



Designed for
use with standard
150 x 25 mm cutouts.

The HES KS-M installs easily on most cam-activated server cabinet doors equipped with a standard 150 x 25 mm lock prep and provides support for a 6 or 7-pin SFIC (Small Format Interchangeable Core) mechanical key override.

Features

Standard Features

- Cam Activated
- Non-Handed
- Mechanical 6 or 7-pin SFIC Key Override (Sold separately)
- Compatible with MEDECO XT Intelligent Keys
- Black Finish
- SecuriCare three-year, no-fault, no questions asked warranty

Specifications

Certifications

- RoHS Compliant

Holding Force

- Static Strength 350 lbs

Environmental

- Operating Temperature -13° to 131°F [-25° to 55°C]
Indoor Use Only



3
Year
SecuriCare
Warranty



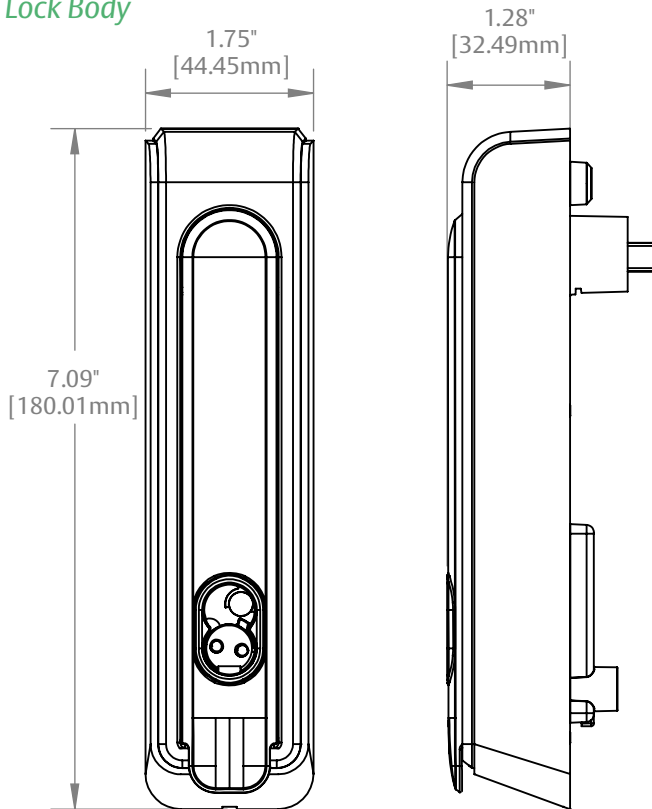
Swinging
Door

hes.

ASSA ABLOY

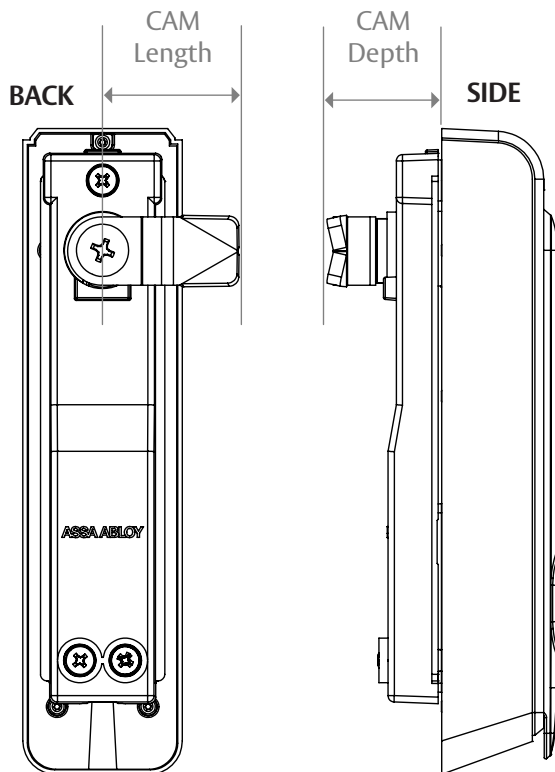
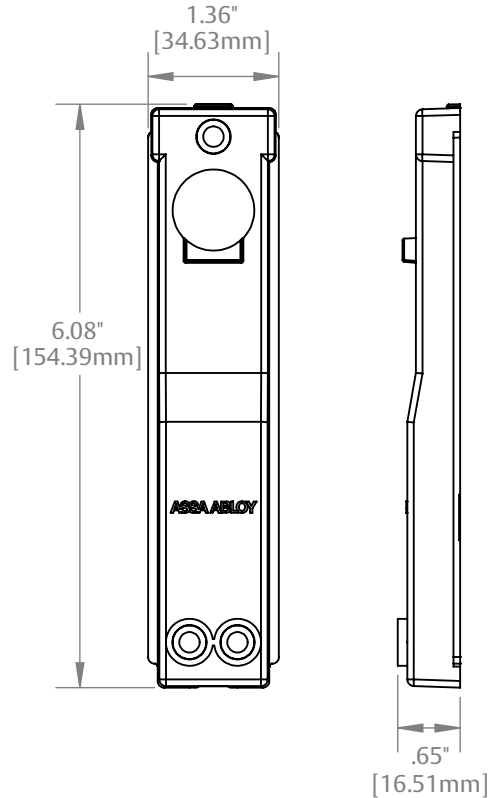
Dimensions

Lock Body



Dimensions

Mounting Bracket



PART NO.	CAM	CAM LENGTH	CAM DEPTH
Included	38mm – 4 <i>(standard)</i>	1-1/2" [38mm]	1" [25.4mm]
KS-CAM38	38mm – 5 <i>(optional)</i>	1-1/2" [38mm]	1-1/10" [28mm]
KS-CAM45	45mm – 1 <i>(optional)</i>	1-3/4" [45mm]	7/10" [18mm]

- NOTE: Please reference the "KS Rack Compatibility Matrix" for the most up to date list of compatible server cabinets.

How to Order

SERIES	MODEL	COLOR	KEY OVERRIDE
KS	- M	- B	- K1
KS	-M Mechanical	B Black	_(blank) No SFIC or Blank Plastic Core (standard) K1 SFIC Medeco X4 Cylinder & 2 Keys (1 control & 1 user)