

# KS200 Server Cabinet Lock

*Integrated Wired Electronic  
Access Control Swing Handle  
Server Cabinet Locks*



Designed to integrate seamlessly with existing access control systems and protect critical assets from intrusion and expensive downtime.

Designed for use with standard 150 x 25 mm cutouts, the KS200 Server Cabinet Locks come standard with lock monitoring and utilizes an SFIC (Small Format Interchangeable Core) mechanical key override. An additional optional extended DPS monitoring sensor can be connected to ensure that the cabinet is closed, locked and secure.

The hard powered KS200 features HID multiCLASS SE® contactless card technology.

## Features

### Standard Features

- Hard wired Wiegand communication
- Integrated HID mobile access enabled multiCLASS SE RFID card reader with NFC mobile access enabled
- Integrated locked state and (optional) door status monitoring
- Auxiliary lock output (optional)
- Cam activated
- Non-handed
- Mechanical 6 or 7-pin SFIC key override (includes compatibility with MEDECO XT Intelligent Keys)
- Black finish
- SecuriCare three-year, no-fault, no questions asked warranty

### Accessories

- **SFIC** Mechanical key override (sold separately)
  - » **SFIC** MEDECO X4 SFIC cylinder & 2 keys (1 control, 1 user)
  - » **SFIC-BC** KS SFIC blank, black plastic core
  - » Compatible for use with **Medeco XT** Intelligent Keys & Cores
- **KS-DPS** Surface mount DPS (external)
- **KS-CAM38** CAM: 38MM-1
- **KS-CAM45** CAM: 45MM-5
- **CBL6-QC12** K200/KS200 Lock side interface cable: 6 foot, 12 conductor and Molex both ends
- **CBL12-QC12** K200/KS200 Lock side system interface cable: 12 foot, 12 conductor and Molex one end, pinned one end
- **WT-1** Wiegand test box with LED indicators
- **WT-2** Wiegand test box with LCD backlit display and LED indicators



## Specifications

### Certifications

- Patents Pending & D725,992
- FCC Part 15 & Industry Canada (ICES) Compliant
- UL Listed (UL294 7th Edition)
- CE Certified (Compliant with Directive 2014/53/EU)
- RoHS3 Compliant
- CA Prop 65
- WPC Registered (Equipment Type Approval under O.M. No. ETA-WPC/Policy/2018-19 dated 26 February 2019)



# KS200 Series Cabinet Lock

## Electrical

- Dual voltage 12/24 VDC
- 130 mA at 12 or 24 VDC (peak)

## Holding Force

- Static strength 350 lbs

## Environmental

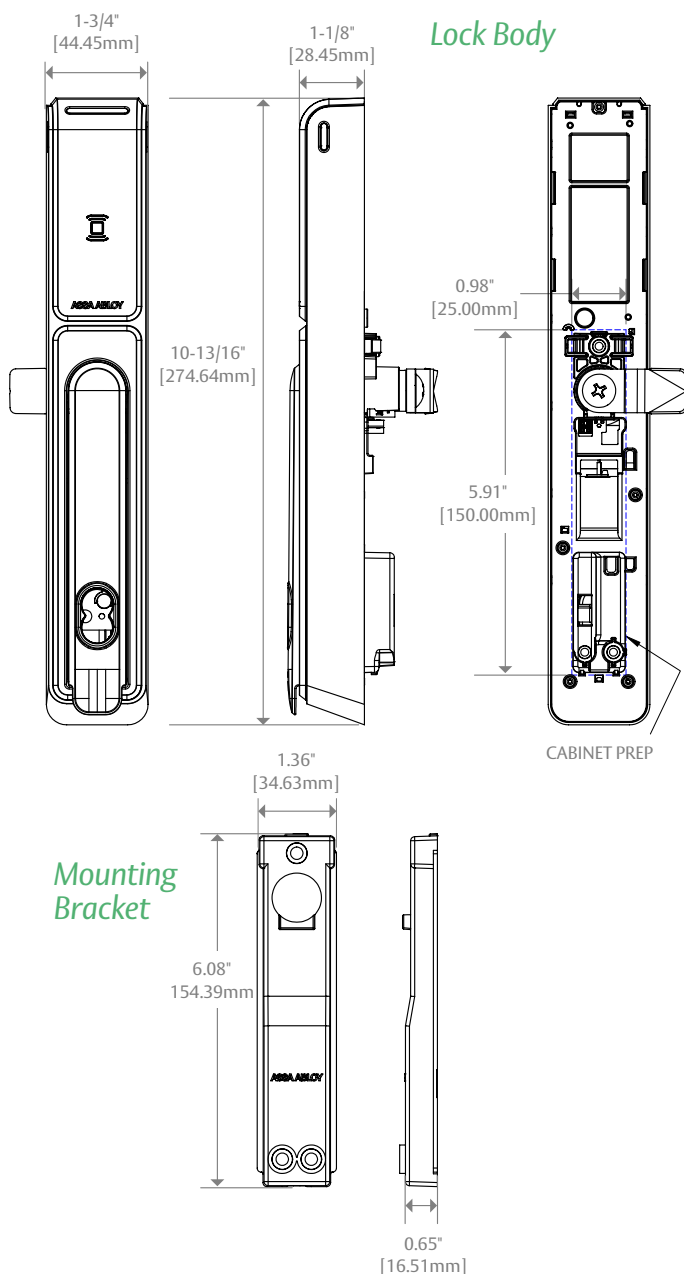
- Operating Temperature: 32° to 122°F [0° to 50°C]
- Indoor Use Only

## Card Technology

- Supports 13.56 MHz & 125 kHz credentials
- **High Frequency (13.56 MHz)**
  - » HID iCLASS®
  - » HID iCLASS SE® (SIO®-enabled)
  - » HID iCLASS® Seos®
  - » ISO 14443b UID
  - » MIFARE Classic™
  - » MIFARE DESfire™ EV1
  - » MIFARE DESfire™ SE
- **Low Frequency (125 kHz)**
  - » HID® Prox
  - » EM4102
  - » AWID Prox
- NFC Mobile Access Enabled

\*Authorization needed from Transact

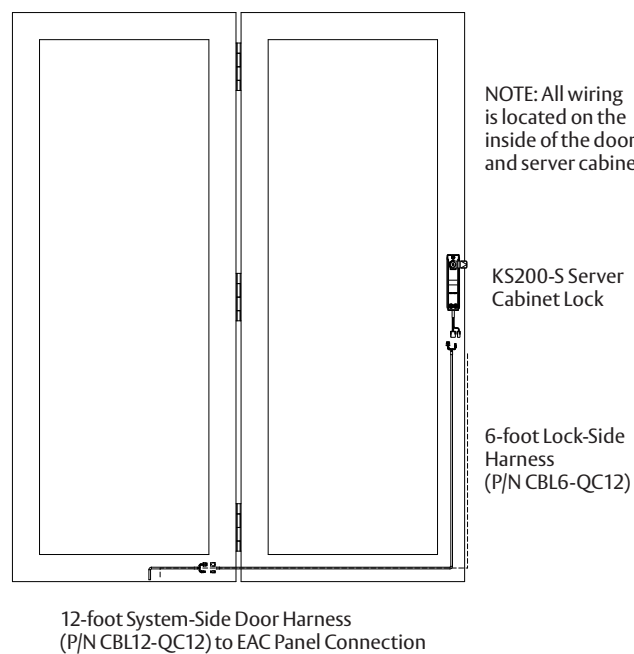
## Dimensions



PART NO.	CAM	CAM LENGTH	CAM DEPTH
Included	38mm — 4 (standard)	1-1/2" [38 mm]	1" [25.4 mm]
KS-CAM38	38mm — 1 (optional)	1-1/2" [38 mm]	1-1/10" [28 mm]
KS-CAM45	45mm — 5 (optional)	1-3/4" [45 mm]	7/10" [18 mm]

## Server Cabinet

## Door



See next page for How To Order information

## KS200 Series Cabinet Lock

## How to Order

SERIES	COMMUNICATION	MODEL	CARD TECHNOLOGY			COLOR	KEYING OPTIONS	
<b>KS</b>	<b>200</b>	<b>-S</b>	<b>-IPS</b>			<b>-B</b>	<b>K1</b>	
Server Cabinet Lock	200 Wiegand	640 Obsolete	STANDARD	IPS	HID multiCLASS SE	B Black	_ No SFIC or Blank Plastic Core (Standard) BC SFIC blank (Black plastic core) K1 MEDECO X4 SFIC Cylinder (DGV Commercial Keyway, Keyed Alike) with 2 Keys (1 Control & 1 User)	
		S Swing Handle 150x25 mm Cam Activated						
			ICLASS ELITE (Restricted)*	IPEXXXXX	HID iCLASS Elite			HID iCLASS Elite Keys (ICEXXXX)*, HF Only
				IPV040	RFID Only (HID iCLASS SE) PIV-I / 40 Bit FASC-N			40 Bit FASC-N message length: System + Credential (parity automatically removed), HF Only
				IPV064	RFID Only (HID iCLASS SE) PIV-I / 64 Bit FASC-N			64 Bit FASC-N message length: Agency + System + Credential + Series + Issue (parity automatically removed), HF Only
			PIV-I	IPV075	RFID Only (HID iCLASS SE) PIV-I / 75 Bit FASC-N			75 Bit FASC-N message length: Agency + System + Credential + Expiration Date (parity automatically removed), HF Only
				IPV128	RFID Only (HID iCLASS SE) PIV-I / 128 Bit FASC-N			128 Bit FASC-N message length: Agency + System + Credential + Series + Issue + Pers Iden + Org/Ind + Pers/Org (parity automatically removed), HF Only
			IPV200	RFID Only (HID iCLASS SE) PIV-I / 200 Bit FASC-N	200 Bit complete FASC-N number (parity included), HF Only			

\*HID Authorization form will need to be filled out and signed by the end user who has authority of the ELITE KEY.