

# K200 Cabinet Lock

*Integrated Wired Electronic  
Access Control Cabinet Lock*



The flexible integrated solution for extending access control to secure lockers, drawers or doors.

The hard powered K200 Cabinet Lock comes standard with locked state monitoring, optional mechanical key override and over 150 lbs of holding force.

## Features

### Standard Features

- Hardwired Wiegand communication
- Integrates with existing access control systems and ID badges
- Audit trail limited by EAC system
- HID multiCLASS SE® card technology
- LEDs indicated valid/invalid entries; Red Amber or Green Amber
- Locked state monitoring (standard)
- Installs on wood or metal cabinet doors and drawers
- Works with cabinet doors and lockers with door thickness of 1/16" to 1-1/2" [1.5mm to 38.1mm]
- Non-handed
- SecuriCare three-year, no-fault, no questions asked warranty

### Optional Features

- Mechanical key override (sold separately)

### Accessories

- **OBS-622** Open back strike plate
- **CBL6-QC12** K200/KS200 Lock Side Interface Cable: 6 foot, 12 conductor and Molex both ends
- **CBL12-QC12** K200/KS200 Lock Side System Interface Cable: 12 foot, 12 conductor and Molex one end, pinned one end
- **WT-1** Wiegand Test Box with LED Indicators
- **WT-2** Wiegand Test Box with LCD Backlit Display and LED Indicators



SecuriCare  
Warranty



Swinging  
Door



Drawers



Dual Voltage  
12/24

h.e.s.

ASSA ABLOY

# Specifications

## Certifications

- FCC Part 15 & Industry Canada Compliant
- CE Red
- RoHS Compliant

## Electrical

- Dual voltage 12/24 VDC
- 226 mA at 12 VDC / 118 mA at 24 VDC
- Holding Force
- Static strength 150 lbs

## Environmental

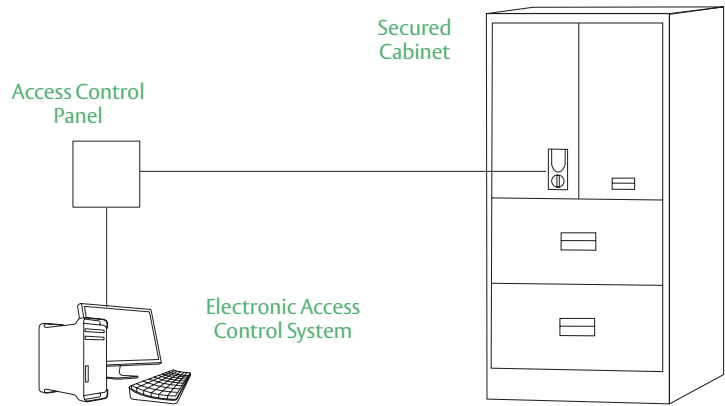
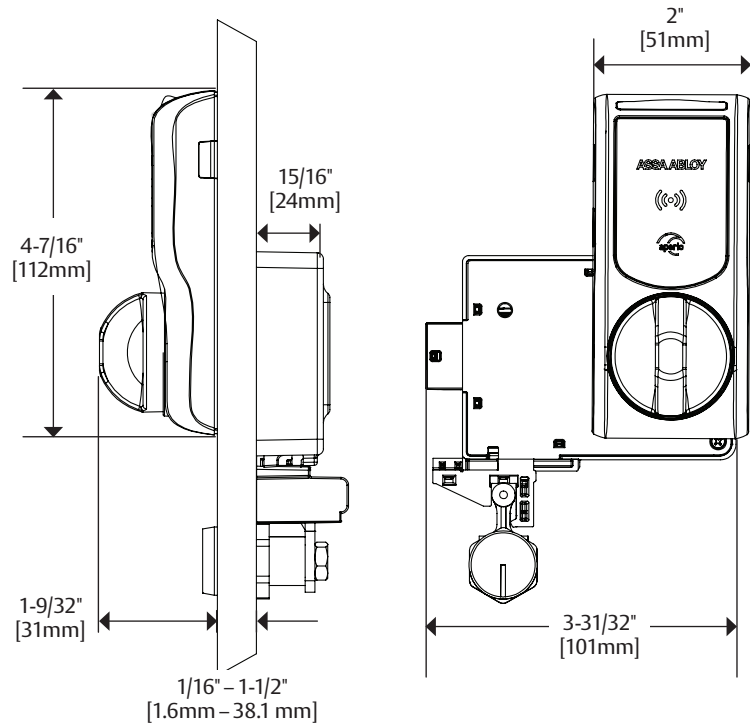
- Operating Temperature: 32° to 122°F [0° to 50°C]
- Indoor Use

## Card Technology

- Supports 13.56 MHz & 125 kHz credentials
- **High Frequency (13.56 MHz)**
  - » HID iCLASS®
  - » HID iCLASS SE® (SIO®-enabled)
  - » HID iCLASS® Seos®
  - » ISO 14443b UID
  - » MIFARE Classic™
  - » MIFARE DESfire™ EV1
  - » MIFARE DESfire™ SE
  - » FeliCa™ (IDm)\*
  - » 40-bit PIV-I
  - » 64-bit PIV-I
  - » 75-bit PIV-I
  - » 128-bit PIV-I
  - » 200-bit PIV-I
- **Low Frequency (125 kHz)**
  - » HID® Prox
  - » EM4102
  - » AWID Prox
- NFC Mobile Access Enabled

\*Authorization needed from Transact

# Dimensions



# How to Order

SERIES	MODEL	CARD TECHNOLOGY	COLOR	KNOB TYPE	SHAFT LENGTH (DOOR THICKNESS)
K200	-622	-IPS	-B	P	2
	622 For doors	IPS HID Prox®, Kantech ioProx, HID iCLASS®, HID iCLASS SE® (SIO-enabled), HID iCLASS® Seos™, HID MIFARE® SE, HID DESFire® EV1 SE, MIFARE Classic, MIFARE DESFire EV1, NFC-enabled mobile phones	B Black	P Pinch	– (Blank) 1/16" to 1/2" (standard)
	622D For drawers	IPEXXXXX† Same as IPS but with factory loaded HID Elite Credential  BIPXXXXX** HID iCLASS, HID iCLASS SE (SIO-enabled), HID iCLASS Seos, HID MIFARE SE, HID DESFire EV1 SE, MIFARE Classic, MIFARE DESFire EV1, NFC & BLE-enabled Mobile Phones: HID Mobile Access (BLE and NFC), Seos Apple Wallet (NFC)  BIPEXXXXX** Same as IPS but with factory loaded HID Elite Credential		L Lever	2 ≥ 1/2" to 1-1/2" 3 ≥ 1-1/2" to 2-1/4"

\*Only available through ACP/CI channel \*\*XXXXX is a unique or customer specific key that is only reorderable for that specific company.  
†HID Authorization form will need to be filled out and signed by the end user who has authority of the ELITE KEY.