

7000 Electric Strike

Works with cylindrical latchbolts up to 5/8" throw and rim exit devices up to a 3/4" throw

Also available in a Complete One Box Solution



The dual, preload solution for cylindrical latchbolts and rim exit devices.

The 7000 Series Electric Strike offers two solutions to address preloaded doors. The in-frame adjustable feature allows the installer to easily adjust the electric strike opening to accommodate the horizontal position of the latchbolt after installation.

The preload release function allows the electric strike to operate smoothly throughout the year under varying loads on the door caused by air conditioning pressure, changes in the weather, warped doors or doors with weather stripping that may often bind standard electric strikes. This unit accommodates cylindrical latchbolts up to 5/8" throw and rim exit latchbolts up to 3/4" throw.

Features

Standard Features

- Stainless steel construction
- Tamper resistant
- Static strength 1,500 lbs (791 and 792 options)
- Dynamic strength 70 ft-lbs (791 and 792 options)
- Static strength 1,000 lbs (783S, 786S, and 789S options)
- Dynamic strength 50 ft-lbs (783S, 786S, and 789S options)
- Endurance 1 million cycles
- Field selectable fail safe/fail secure
- Accommodates preload (up to 15 lbs: fail secure only)
- Horizontal adjustment
- Non-handed
- Internally mounted solenoid
- Strike body depth 1-11/16" [42.9mm]
- Plug-in connector
- Trim enhancer (791 and 792 options)
- Pocket adapter (786S and 789S options)
- SecuriCare five-year, no-fault, no questions asked warranty (Addition of SMART Pac® III extends the warranty to 10 years)

Optional Features

- **LBM** Latchbolt monitor

Accessories

- **7000-SMB** Surface mounting box (783S and 789S options)
- **7000-104** Lip extension trim adapter
- **7000-105** Trim enhancer (goof plate)
- **7000-106** Keeper pocket adapter
- **7000-107** Full keeper shim pack
- **7000-108** 1/8" [3.2mm] spacer plate (783S and 789S options, black finish only)
- **7000-110** Replacement strike plate (791 and 792 option)
- **150** Strike latch guard
- **HES-CUT-MTK** Metal template kit
- **2001M** Plug-in bridge rectifier
- **2004M** ElectroLynx® adapter
- **2005M3** SMART Pac® III
- **2006M** Plug-in buzzer
- **791-XXX, 792-XXX** Available in all finishes
- **783S-XXX, 786S-XXX, 789S-XXX** Available in 630, 613E



Grade 1



SecuriCare
Warranty



Cylindrical
Locksets



Rim Exit
Devices



Field Selectable
(Fail secure
/Fail safe)



Dual Voltage
12/24



Preload



Burglary
Rated

hes.

ASSA ABLOY

Specifications

Certifications

- ANSI/BHMA A156.31, Grade 1 (791 & 792 options)
- ANSI/BHMA A156.31, Grade 2 (783S, 786S & 789S options)
- UL 1034 burglary-resistant listed
- UL 294 listed

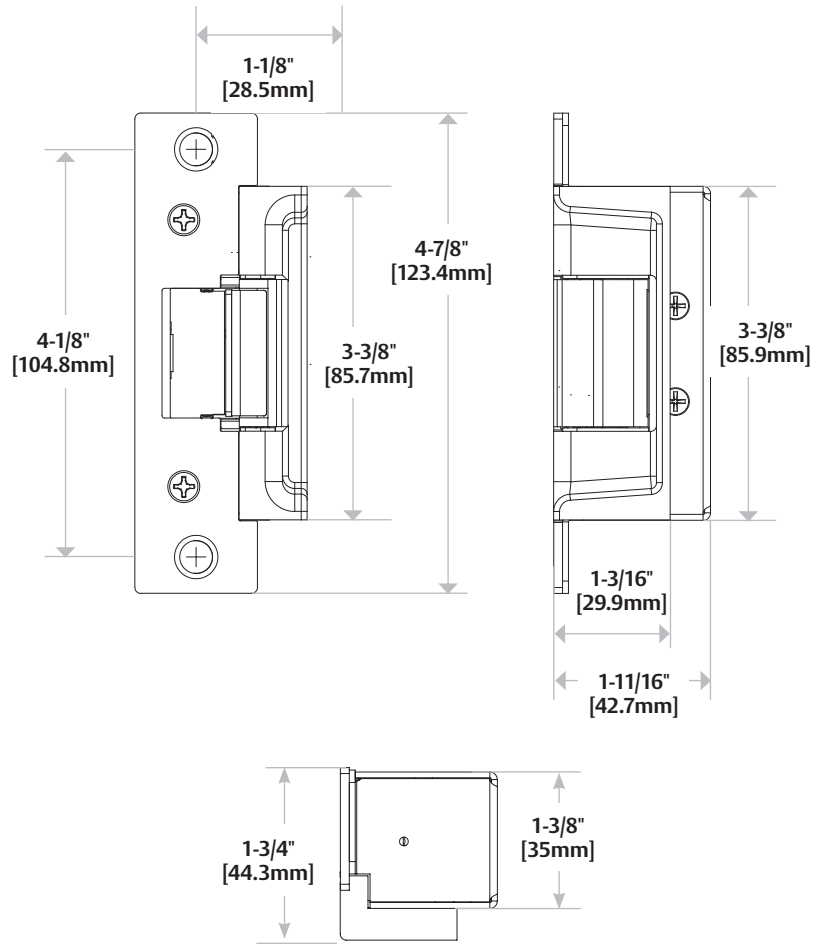
Frame Application

- Metal
- Wood
- Aluminum

Electrical (DC Continuous Duty)

- Dual voltage 12/24 VDC
- 450 mA at 12 VDC/250 mA at 24 VDC

Dimensions



How to Order Specify quantity and the following information. Order related products separately

SERIES	MODEL	FINISH	OPTION (S)
7000	C	- 630	- LBM
7000 Universal Electric Strike; faceplate option kits ordered separately	C* Complete Electric Strike; includes the 791 and 792 faceplates (Blank) Strike Body Only	630 Satin Stainless Steel	(blank) No monitor LBM Latchbolt Monitor

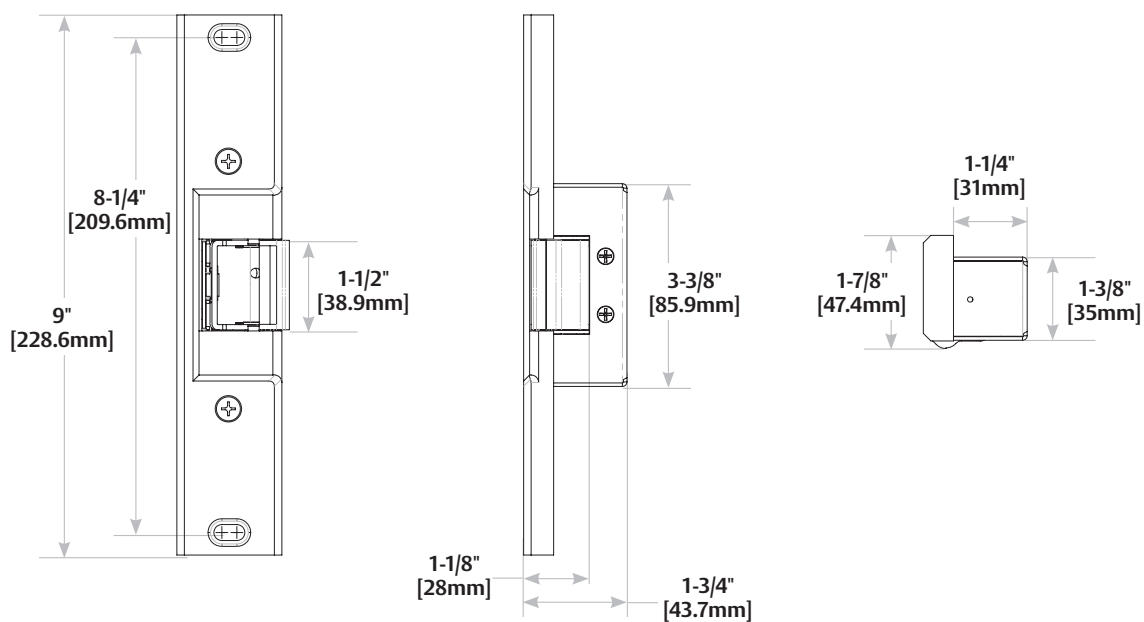
*Complete Pacs are only available in the 630 finish

FACEPLATE OPTIONS	FINISH
792	- 606
For Cylindrical Locksets	605 Bright Brass
791 Option 4-7/8" x 1-1/4"	606 Satin Brass
792 Option 7-15/16" x 1-7/16"	612 Satin Bronze
For Rim Exit Devices	613E Dark Oxidized Satin Brass
783S Option 9" x 1-3/4" x 11/16"	629 Bright Stainless Steel
786S Option 6-1/2" x 1-3/4" x 1/2"	630 Satin Stainless Steel
789S Option 9" x 1-3/4" x 1/2"	BLK Black

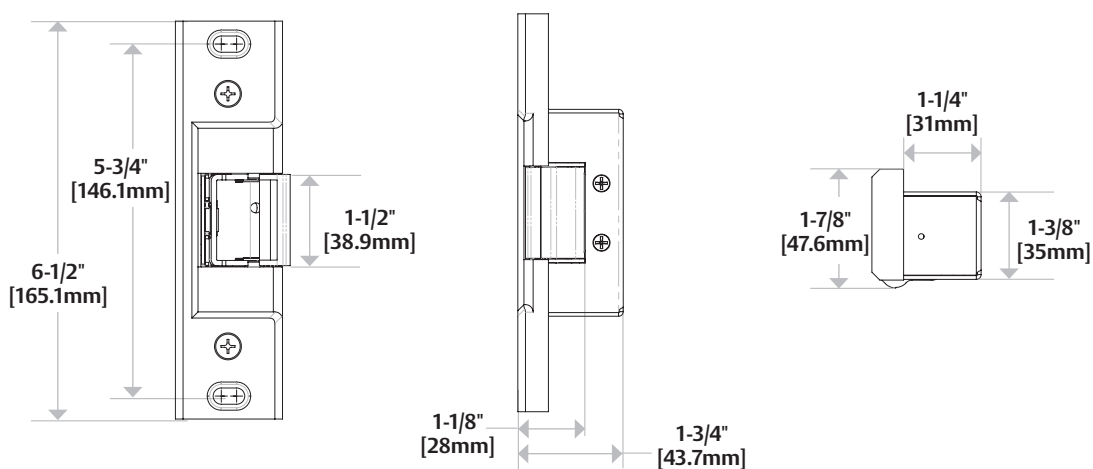
NOTE: Electric strike compatibility is determined at time of electric strike product release. ASSA ABLOY is not responsible for incompatibility of products that have changed in design or craftsmanship by their respective manufacturers. When compatibility is a concern, contact Customer Support for application assistance.

7000 Series Rim Exit Device Options

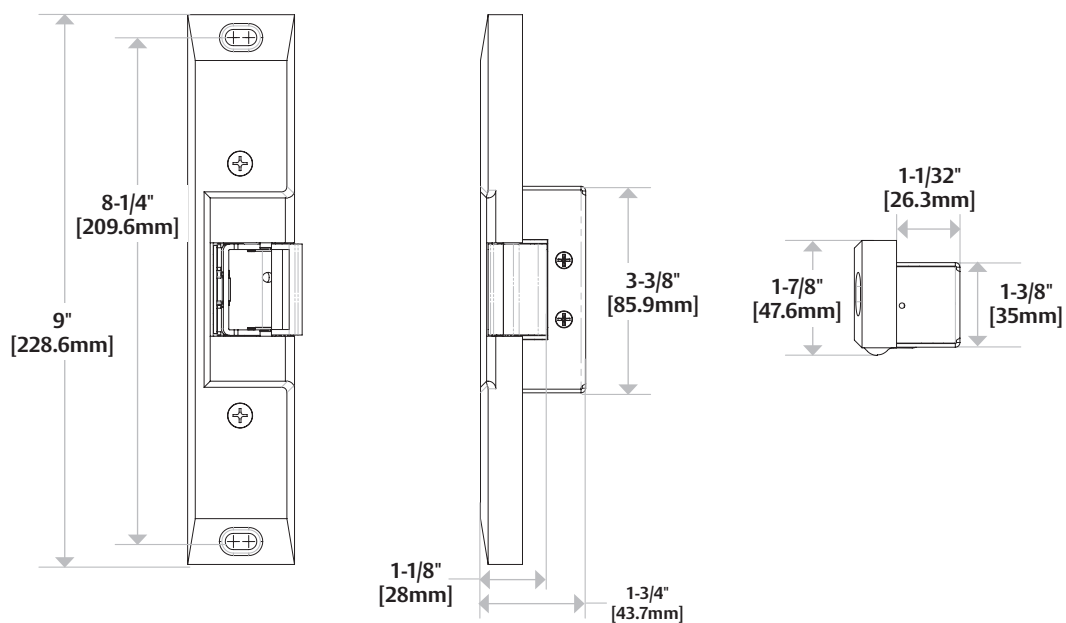
783S










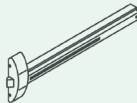

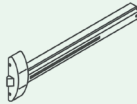

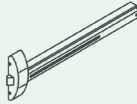
786S



789S



7000 Series Faceplate Options

<p>OPERATION</p>	 <p>Cylindrical Locksets</p>	<p>After releasing the latchbolt, the keeper returns to the locked position.</p>
 <p>4-7/8" × 1-1/4" [123.8mm x 31.75mm]</p>	<p>791 Option For use with: Cylindrical locksets up to 5/8" [15.9mm] throw ANSI/BHMA Numbers: E09321, E09322, E09323</p>	 <p>1 Grade 1</p>
 <p>7-15/16" × 1-7/16" [201.6mm × 36.5mm]</p>	<p>792 Option For use with: Cylindrical locksets up to 5/8" [15.9mm] throw ANSI/BHMA Numbers: E09321, E09322, E09323</p>	 <p>1 Grade 1</p>
<p>OPERATION</p>	 <p>Rim Exit Devices</p>	<p>After releasing Pullman latch, the keeper returns to the locked position.</p>
 <p>9" × 1-3/4" × 11/16" [228.6mm × 44.5mm × 17.5mm]</p>	<p>783S Option For use with: Rim exit devices in metal jambs with up to a 3/4" [19mm] Pullman latch Compatible locksets: American Device, Arrow, Dor-O-Matic, Monarch, Precision, Sargent, Von Duprin, Yale ANSI/BHMA Numbers: E09311, E09312, E09313</p>	 <p>2 Grade 2</p>
 <p>6-1/2" × 1-3/4" × 1/2" [165.1mm × 44.5mm × 12.7mm]</p>	<p>786S Option For use with: Rim exit devices in aluminum jambs and surface mounted vertical rod exit devices with up to a 3/4" [19mm] Pullman latch. Includes keeper pocket adapter. Compatible locksets: American Device, Arrow, Dor-O-Matic, Jackson, Monarch, Precision, Sargent, Von Duprin, Yale ANSI/BHMA Numbers: E09311, E09312, E09313</p>	 <p>2 Grade 2</p>
 <p>9" × 1-3/4" × 1/2" [228.6mm × 44.5mm × 12.7mm]</p>	<p>789S Option For use with: Rim exit devices in aluminum jambs with up to a 3/4" [19mm] Pullman latch. Includes keeper pocket adapter. Compatible locksets: American Device, Arrow, Dor-O-Matic, Jackson, Monarch, Precision, Sargent, Von Duprin, Yale ANSI/BHMA Numbers: E09311, E09312, E09313</p>	 <p>2 Grade 2</p>

"For use with" information is offered as a recommendation only. Reference should be made to the lockset manufacturer for proper installation instructions necessary to meet compatibility requirements.