

4500C Electric Strike Complete Pac

Works with cylindrical and mortise locksets up to a 3/4" throw latchbolt



The low profile, heavy-duty, fire rated solution.

The 4500C Series Electric Strike is designed to maintain 1/2" drywall penetration even in a 2" UL 10C fire rated frame. The 4500C features a low profile 1-3/8" depth and heavy-duty stainless steel construction. Its strength is derived from a unique keeper pin locking design, enabling the 4500C to exceed the ratings of the frame, door and locking hardware. The 4500C includes two faceplates designed to accommodate either cylindrical or mortise locksets up to a 3/4" throw latchbolt.

Features

Standard Features

- Stainless steel construction
- Tamper resistant
- Static strength 1,500 lbs
- Dynamic strength 100 ft-lbs
- Endurance 1 million cycles
- Field selectable fail safe/fail secure
- Two faceplates provided to accommodate a variety of locksets
- Non-handed
- Internally mounted solenoid
- Accommodates up to a 3/4" [19mm] latchbolt
- Strike body depth 1-3/8" [34.9mm]
- Plug-in connector
- Trim enhancer
- Full keeper shims for horizontal adjustment
- SecuriCare five-year, no-fault, no questions asked warranty (Addition of SMART Pac® III extends the warranty to 10 years)

Optional Features

- **LBM** Latchbolt monitor
- **LBSM** Latchbolt strike monitor

Accessories

- **4500-105** Trim enhancer - black
- **4500-110** Replacement strike plate
- **4500-131** Filler block – 7/16" [11mm]
- **150** Strike latch guard
- **HESCUT-MTK** Metal template kit
- **2001M** Plug-in bridge rectifier
- **2004M** ElectroLynx® adapter
- **2005M3** SMART Pac® III
- **2006M** Plug-in buzzer
- **4501-1/2** 1/2" [12.7mm] stackable lip extension
- **4501-1** 1" [25.4mm] stackable lip extension



Grade 1

SecuriCare
WarrantyMortise Locks
without
DeadboltCylindrical
LocksetsField Selectable
(Fail secure
/Fail safe)Dual Voltage
12/24PoE
Friendly

Fire Rated

Burglary
Rated

ASSA ABLOY

Specifications

Certifications

- ANSI/BHMA A156.31, Grade 1
- UL 1034 burglary-resistant listed
- UL 294 listed
- UL 10C fire rated, 3-hour (fail secure only)
- CAN/ULC-S104 fire door conformant
- NFPA-252 fire door compliant
- ASTM-E152 fire door compliant
- California Fire Marshal listed

Frame Application

- Metal

Electrical (DC Continuous Duty)

- Dual voltage 12/24 VDC/VAC
- 240 mA at 12 VDC/120 mA at 24 VDC
- PoE friendly

Dimensions

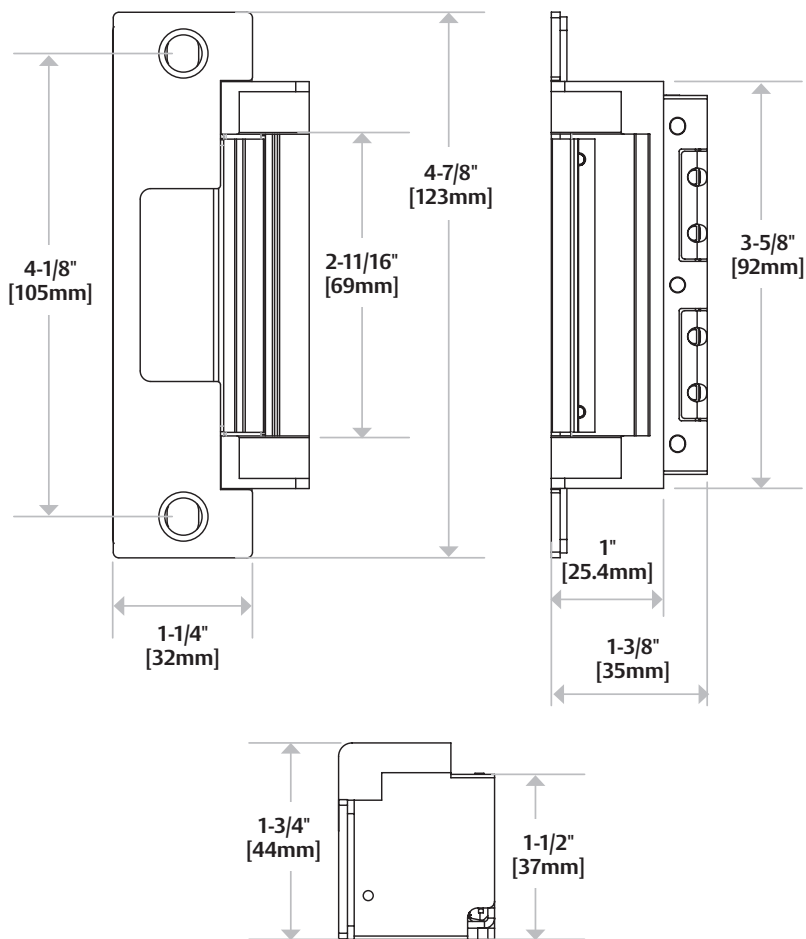


Diagram shown with cylindrical faceplate

How to Order

SERIES	FINISH	OPTION (S)
4500C	- 630	- LBM
4500C Complete Electric Strike; includes faceplates for cylindrical and mortise locks	605 Bright Brass 606 Satin Brass 612 Satin Bronze 613 Bronze Toned 629 Bright Stainless Steel 630 Satin Stainless Steel	(blank) No Monitor LBM Latchbolt Monitor LBSM Latchbolt Strike Monitor

NOTE: Electric strike compatibility is determined at time of electric strike product release. ASSA ABLOY is not responsible for incompatibility of products that have changed in design or craftsmanship by their respective manufacturers. When compatibility is a concern, contact Customer Support for application assistance.