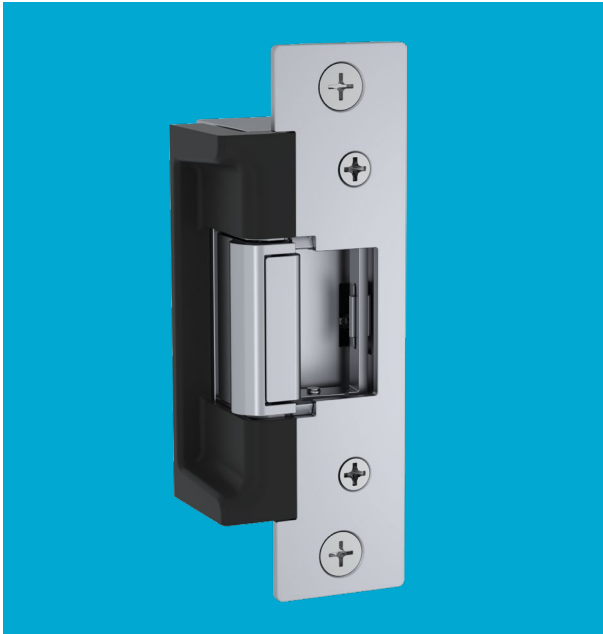


HES[®] 7000 Electric Strike

ASSA ABLOY

The global leader in
door opening solutions



The dual, preload solution for cylindrical latchbolts and rim exit devices.

Preload Capable

- Preload release function allows smooth operation under loads on the door that often bind other electric strikes
- Accommodates up to 15 pounds of preload (fail secure only)
- Ideal for applications with preload caused by air-conditioning pressure, changes in the weather, warped doors or doors with weather stripping

Robust and Reliable

- ANSI/BHMA A156.31, Grade 1
- Static strength 1,500 lbs, Dynamic strength 70 ft lbs
- Endurance 1 million cycles

Versatile Design

- Works with both cylindrical latchbolts up to 5/8" throw
- Field selectable fail secure/fail safe
- Non-handed and includes plug in connector



Grade 1



SecuriCare
Warranty



Cylindrical
Locksets



Rim Exit
Devices



Field Selectable
(Fail secure
/Fail safe)



Dual Voltage
12/24



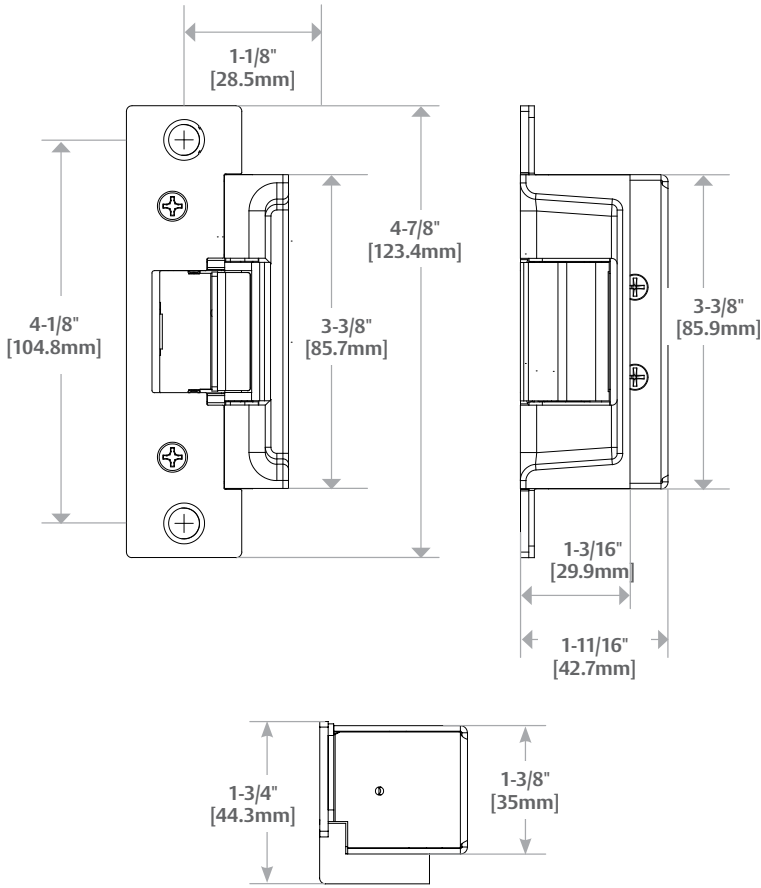
Preload



Burglary
Rated

Preload Capable | Horizontal Adjustment | Latchbolts & Rim Exits

Dimensions



Specifications

Certifications

- ANSI/BHMA A156.31, Grade 1 (791 & 792 options)
- ANSI/BHMA A156.31, Grade 2 (783S, 786S & 789S options)
- UL 1034 burglary-resistant listed
- UL 294 listed

Frame Application

- Metal
- Wood

Electrical (DC Continuous Duty)

- Dual voltage 12/24 VDC/VAC
- 240 mA at 12 VDC/120 mA at 24 VDC
- PoE friendly

Features

Standard Features

- Stainless steel construction
- Tamper-resistant
- Static strength 1,500 lbs (791 and 792 options)
- Dynamic strength 70 ft-lbs (791 and 792 options)
- Static strength 1,000 lbs (783S, 786S, and 789S options)
- Dynamic strength 50 ft-lbs (783S, 786S, and 789S options)
- Endurance 1 million cycles
- Field selectable fail secure/fail safe
- Accommodates preload (up to 15lbs: fail secure only)

- Internally mounted solenoid
- Strike body depth 1-11/16"
- Plug-in connector
- Trim enhancer (791 and 792 options)
- Pocket adapter (786S and 789S options)
- SecuriCare five-year, no-fault, no questions asked warranty

Optional Features

- **LBM** Latchbolt monitor

Accessories

- **SMB** Surface mounting box (783S and 789S options)
- **7000-104** Lip extension trim adapter
- **7000-105** Trim enhancer (goof plate)
- **7000-106** Keeper pocket adapter
- **7000-107** Full keeper shim pack
- **7000-108** 1/8" spacer plate (783S and 789S options, black finish only)
- **7000-110** Replacement strike plate (791 and 792 option)
- **150** Strike latch guard
- **HESCUT-MTK** Metal template kit
- **2001M** Plug-in bridge rectifier
- **2004M** ElectroLynx® adapter
- **2005M3** SMART Pac® III
- **2006M** Plug-in buzzer

How to Order

Series	Model	Finish*		Option (s)
7000	—	— 630		— LBM
7000 Universal Electric Strike; Faceplates ordered separately	C* Complete Electric Strike; Includes the 791 and 792 faceplates	791 and 792 Options		LBM Latchbolt Monitor
		605 Bright Brass	613E Dark Oxidized Satin Bronze	
		606 Satin Brass	630 Satin Stainless Steel	
		612 Satin Bronze		
		613E Dark Oxidized Satin Bronze		
		629 Bright Stainless Steel		
		630 Satin Stainless Steel		
		BLK Black		
		<i>*Complete Pacs are only available in the 630 finish</i>		