

1500 Series® | 1600 Series® Electric Strike



ASSA ABLOY

Experience a safer
and more open world

Installation & Operating Instructions

Product Components

- A 1500 Series® or 1600 Series® Electric Strike Body
- B Trim Enhancer & Screws
- C 5/64" Hex Wrench
- D #6-32 x 3/16" Phillips Head Screws to Mount Trim Enhancer
- E 12 & 24 Volt Plug In Connectors

Electrical Specifications

Electrical Ratings for Solenoid	Continuous Duty		Intermittent Duty*	
	12 VDC	24 VDC	12-16 VAC	24 VAC
Voltage	12 VDC	24 VDC	12-16 VAC	24 VAC
Resistance in Ohms	50	200	50	200
Amps	.24	.12	.24-.32	.12

Solenoids are rated at +/- 10% indicated value.
*10% max duty cycle (2 min. max on time)

For inductive kickback protection, consider using with the HES 2005M3 SMART Pac® III or 2001M Plug-in Bridge Rectifier with built-in MOV.

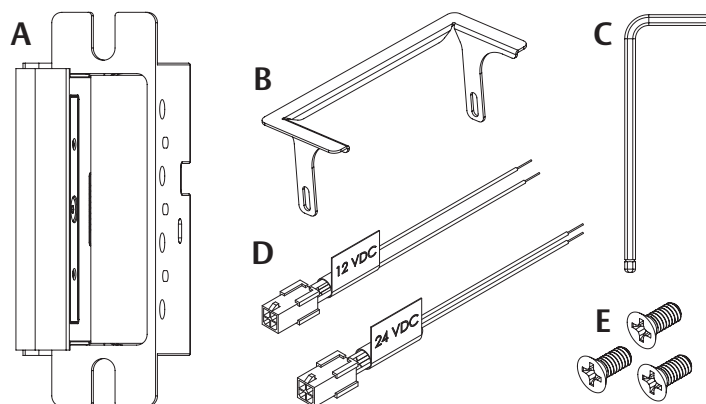
Minimum Wire Guage Requirements			
Voltage	12 VDC	24 VDC	
200 feet or less	18 guage	20 guage	
200-300 feet	16 guage	18 guage	
300-400 feet	14 guage	16 guage	

The above table applies to Models 1500, 1500E, 1600, and 1600E.
Lengths based on round trip.

1500 1600 Series UL1034 Rating	
Static Strength	1,500 lbs
Dynamic Impact	70 ft-lbs
Endurance	250,000 cycles

UL294 Performance Levels*	
Destructive Attack	Level I (No attack test)
Line Security	Level I (No line security)
Endurance	Level IV (100,000 cycles)
Standby Power	Level I (No secondary power source)

*Monitor options were not evaluated by UL294/UL1034/ULC60839-11-1



Faceplate Options	Description	
1J	For Use With	Cylindrical locksets with up to 3/4" throw and all locksets with center-lined bolts.
	Compatible With	All brands of cylindrical latchbolts.
1K	For Use With	Mortise locksets with up to 3/4" throw latchbolt.
	Compatible With	Baldwin, Marks and PDQ.
1KM	For Use With	Mortise locksets with up to 3/4" throw latchbolt.
	Compatible With	Accurate, Arrow, Best, Corbin Russin, Falcon, Sargent (7800, 8200, 9200), ASSA ABLOY ACCENTRA™ 8800 (formerly Yale Commercial).
1KD	For Use With	Mortise locksets with up to 3/4" throw latchbolt.
	Compatible With	Dorma (9500), Jackson, Sargent (7700, 8100), Schlage, ASSA ABLOY ACCENTRA™ 8700 (formerly Yale Commercial).
1N	For Use With	Mortise locksets with deadbolt for night latch function only.
	Compatible With	Accurate, Baldwin, Marks, Omnia, PDQ, Schlage.
1NM	For Use With	Mortise locksets with deadbolt for night latch function only.
	Compatible With	Accurate, Arrow, Baldwin, Corbin Russwin, Falcon (45H, 47H, 34H, 37H), Marks, PDQ, Sargent (7800, 8200, 9200), ASSA ABLOY ACCENTRA™ 8800 (formerly Yale Commercial).
1ND	For Use With	Mortise locksets with deadbolt for night latch function only.
	Compatible With	Sargent (7700, 8100), Schlage, ASSA ABLOY ACCENTRA™ 8700 (formerly Yale Commercial).
1NTD	For Use With	Mortise locksets with a normally extended 1" deadbolt and center-lined deadlatch.
	Compatible With	Accurate, Arrow, Baldwin, Marks, Omnia, PDQ, Schlage.

Installation



WARNING: Before connecting any device at the installation site, verify input voltage using a multimeter. Many power supplies and low voltage transformers operate at higher levels than listed. Any input voltage exceeding 10% of the solenoid rating may cause severe damage to the unit. Installation wiring for the product and wiring methods shall be in accordance with the National Electrical Code, ANSI/NFPA 70.

Connecting the Power

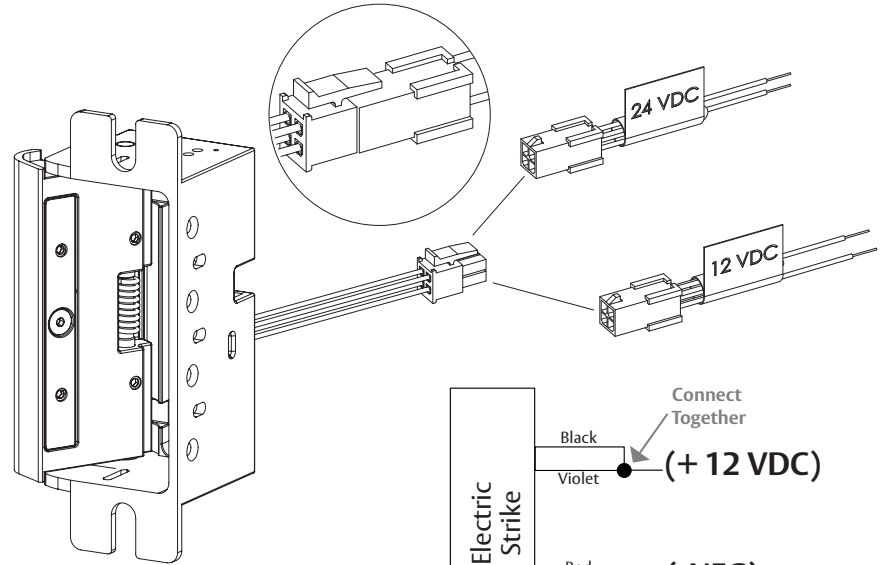
For 12 VAC, 12 VDC, or 16 VAC, the Plug In Connector (pigtail) marked "12 VDC" should be used; for 24VAC or 24 VDC, the pigtail marked "24 VDC" should be used.

- 1 SELECT the appropriate plug in connector that matches system power and electrically CONNECT as shown in Diagram 1, "12 VDC to 24 VDC Conversion."



WARNING: Before electrically connecting the device, the input voltage must be verified using a multimeter. Many power supplies and low voltage transformers operate at higher levels than listed. Any input voltage exceeding 10% of the electrical specification (see Page 1) may cause severe damage to the unit and will void the warranty..

Diagram 1:
12 VDC to 24 VDC Conversion



Converting the Operation Mode

The 1500 Series® and 1600 Series® Electric Strikes ship configured for FAIL SECURE OPERATION. The steps below are provided to convert to FAIL SAFE OPERATION, if desired.

The suitability of the locks in the FAIL SECURE OPERATION mode is up to the local Authority Having Jurisdiction (AHJ) and emergency exit hardware may be required in such installations.

- 1 REMOVE the #2-56 Flat Head Security Screw.
- 2 LOOSEN, but do not remove the #2-56 screws on the back of the strike.
- 3 SHIFT the #2-56 screws up, as shown in Diagram 4.
- 4 TIGHTEN the #2-56 screws on the back of the strike.

Diagram 2: LM Wiring

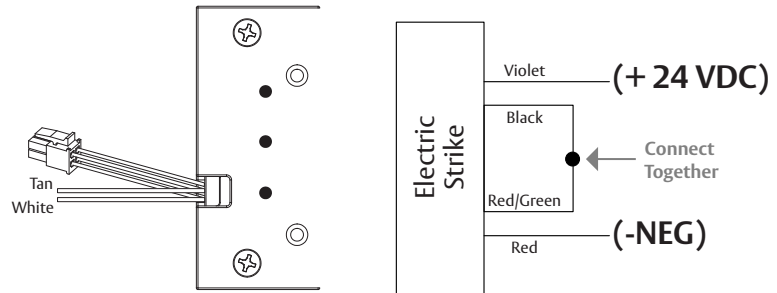


Diagram 3:
Fail Secure Operation

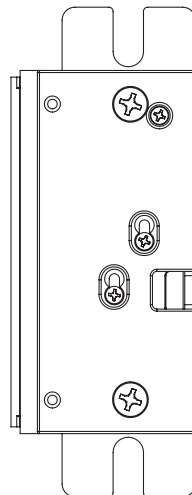


Diagram 4:
#2-56 screws

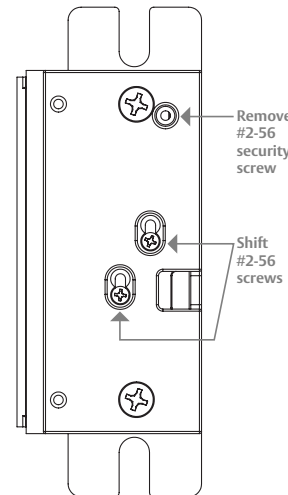
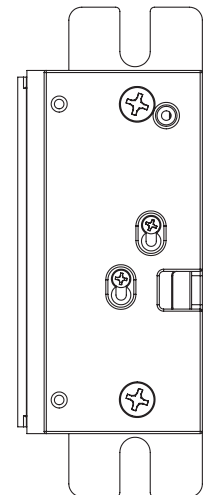


Diagram 5:
Fail Safe Operation



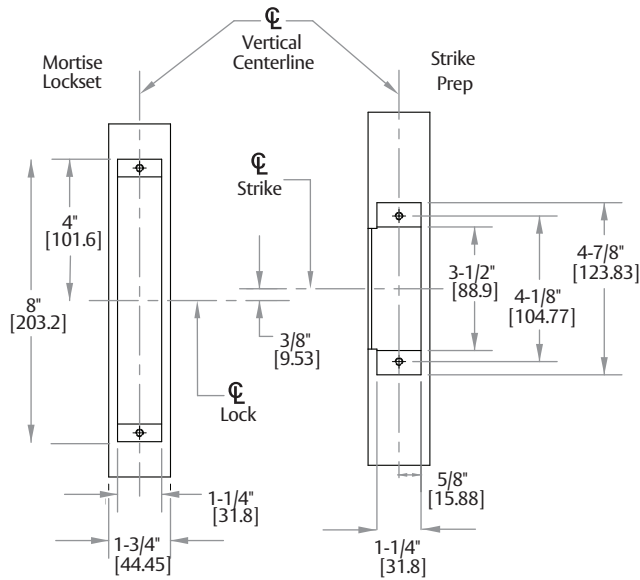
Wiring

Diagram 2: Latchbolt Monitor (LM)	
White	Common
Tan	Door Closed & Latched

Preparing the Frame

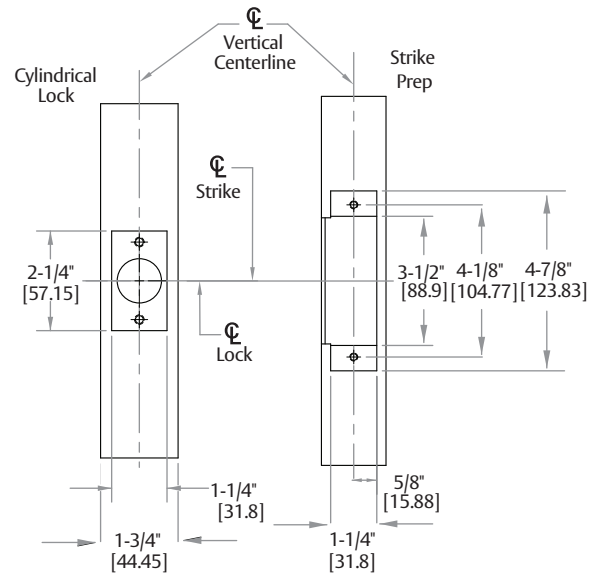
Mortise Locksets

Please note the horizontal centerline of the electric strike in relation to the centerline of the mortise lockset.



Cylindrical Locksets

Please note the horizontal centerline of the electric strike in relation to the centerline of the cylindrical lockset.

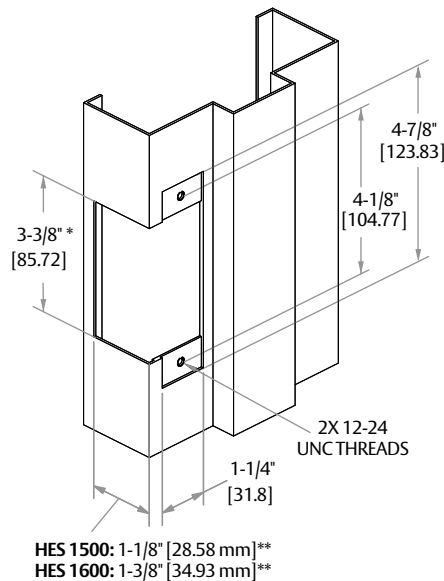


Metal Jamb Dimensions for Faceplates

Mortise Locks without Deadbolt.

NOTE: CANNOT be used with Schlage L9000 or ASSA ABLOY ACCENTRA™ 8700 (formerly Yale Commercial).

Cutout dimensions for option faceplates: **1J** | **1KM** | **1NM**



Metal Jamb Dimensions for Faceplates

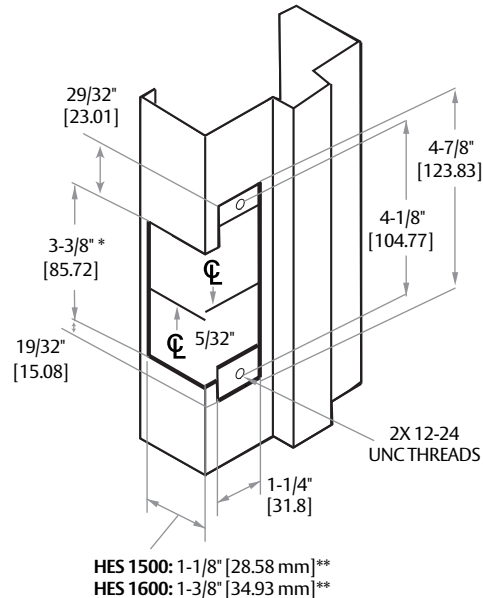
Normally Used WITH Mortise Locks with Deadbolt.

NOTES: CAN be used with Schlage L9000 or ASSA ABLOY ACCENTRA™ 8700 (formerly Yale Commercial).

*ADD 1/4" (6mm) to this dimension when using a lip extension.

**ADD 3/8" (9.5mm) to this dimension when using a lip extension.

Cutout dimensions for option faceplates: **1KD** | **1ND** | **1NTD**



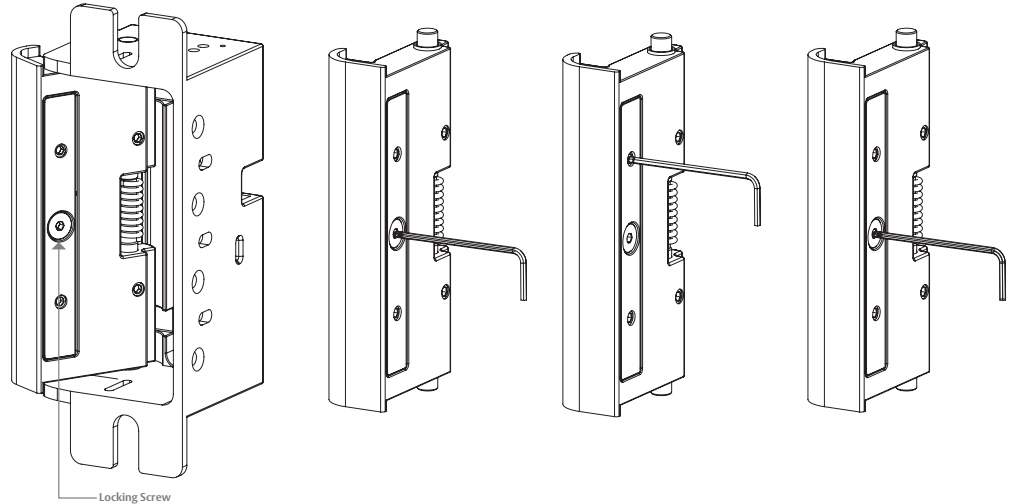
*Add 1/4" [6 mm] to this dimension when using a lip extension. **Add 3/8" [9.5 mm] to this dimension when using a lip extension.

Installation *(continued)*

Adjusting the Horizontal

To adjust the shim height, it is necessary to power the electric strike to open keeper.

- 1 LOOSEN the locking screw with the 5/64" Hex Wrench.
- 2 ADJUST the shim height to the desired level by turning the upper and lower set screws (clockwise to raise and counterclockwise to lower).
- 3 TIGHTEN the locking screw to lock position.



Faceplate Options

Inches [Millimeters] 4-7/8" x 1-1/4" Square Opening \mathcal{C} = center line of faceplate (2nd line = center line of faceplate opening)

<p>1J Cylindrical Locksets with up to 3/4" throw and all locksets with center-lined bolts</p> <p>✓ 1500 ✓ 1600</p>	<p>1K Mortise locksets with up to 3/4" throw latchbolt</p> <p>✓ 1500 ✓ 1600</p>	<p>1KD Mortise locksets with up to 3/4" throw latchbolt</p> <p>✓ 1500 ✓ 1600</p>	<p>1KM Mortise locksets with up to 3/4" throw latchbolt</p> <p>✓ 1500 ✓ 1600</p>
<p>1N Mortise locksets with deadbolt for night latch function only</p> <p>✓ 1600</p>	<p>1ND Mortise locksets with deadbolt for night latch function only</p> <p>✓ 1600</p>	<p>1NM Mortise locksets with deadbolt for night latch function only</p> <p>✓ 1600</p>	<p>1NTD Mortise locksets with a normally extended 1" deadbolt and center-lined deadlatch</p> <p>✓ 1600</p>

Warranty For information on warranty coverage and replacement options, please visit [hesinnovations.com/warranty](https://www.hesinnovations.com/warranty)



techsupport.hes@assaabloy.com
hesinnovations.com | 800 626 7590

Printed in the U.S.A.
Patent pending and/or patent www.assaabloydss.com/patents
Copyright © 2024, Hanchett Entry Systems, Inc., an ASSA ABLOY Group company.
All rights reserved. Reproduction in whole or in part without the express written permission of Hanchett Entry Systems, Inc. is prohibited. 3086006.001_4