

KS200 Series Server Cabinet Lock

Wiegand Access Control Swing
Handle Server Cabinet Locks



Designed to install easily on most swing handle server cabinet doors.

The HES KS200 Server Cabinet Lock is designed for use with standard 150 x 25 mm cutouts. It comes standard with lock monitoring and utilizes an SFIC (Small Format Interchangeable Core) mechanical key override. An additional optional extended DPS monitoring sensor can be connected to ensure that the cabinet is closed, locked and secure.

The hard powered HES KS200 features HID multiCLASS SE® contactless card technology.

Features

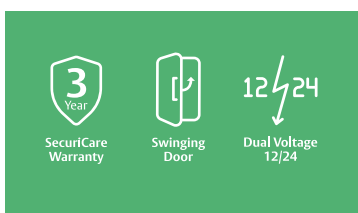
- Hard wired Wiegand communication
- 10 - Wire operation
- Integrated HID NFC mobile access enabled multiCLASS SE card reader
- LEDs indicate valid/invalid entries; Red Amber or Green Amber
- Integrated Tamper, Cam Rotation & Locked State Monitoring with (Optional) External Door Position Status
- Cam Activated
- Non-handed
- Mechanical 6 or 7-pin SFIC Key Override (Includes compatibility with MEDECO XT Intelligent Keys)
- SecuriCare three-year, no-fault, no questions asked warranty

Accessories

- **CBL12-QC12** Lock side interface cable
- **CBL6-QC12** Lock side interface cable: 6 foot, 12 conductor and Molex both ends (used for normal operation)
- **SFIC-BC** KS Series SFIC blank, black plastic core
- **SFIC-K1** KS Series K1 Keyway, Keyed Alike
- **SFIC-K2** KS Series K2 Keyway, Keyed Alike
- **KS-DPS** KS Series Door Position Switch
- **KS-CAM38** KS Series 38mm-1 Locking Cam
- **KS-CAM45** KS Series 45mm-5 Locking Cam

Certifications

- CE RED Certified
- FCC Part 15 Compliant
- IC Compliant
- RoHS Compliant



KS200 Series Server Cabinet Lock

Specifications

Electrical

- Dual voltage 12/24 VDC
- 130 mA at 12 or 24 VDC (peak)

Holding Force

- Static strength 350 lbs

Environmental

- Operating Temperature: 32° to 122°F [0° to 50°C]
- Indoor Use Only

Device Configuration

- HID OMNIKEY Reader Manager

Card Technology

- Supports 13.56 MHz & 125 kHz credentials

High Frequency (13.56 MHz)

- » HID iCLASS®
- » HID iCLASS SE® (SIO®-enabled)
- » HID iCLASS® Seos®
- » ISO 14443b UID
- » MIFARE Classic™
- » MIFARE DESfire™ EV1
- » MIFARE DESfire™ SE
- » FeliCa™ (IDm)*
- » 40-bit PIV-I
- » 64-bit PIV-I

- » 75-bit PIV-I
- » 128-bit PIV-I
- » 200-bit PIV-I

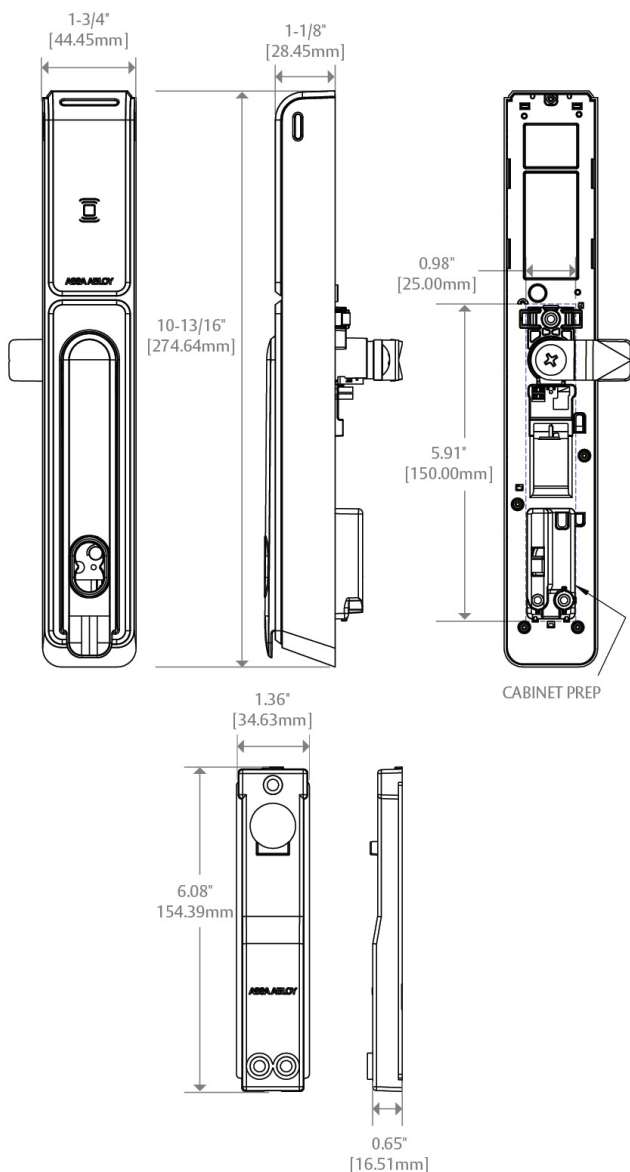
Low Frequency (125 kHz)

- » HID® Prox
- » EM4102
- » AWID Prox

Mobile Access

- » HID BLE* & NFC Mobile Access Enabled

Dimensions



How to Order

SERIES	MODEL	CARD TECHNOLOGY	COLOR	KEYING OPTIONS
KS200	-S	-IPS	-B	K1
KS200	S Swing Handle 150x25 mm Cam Activated	IPS HID multiCLASS SE IPV040 RFID Only, PIV-I/40 Bit FASC-N IPV064 RFID Only, PIV-I/64 Bit FASC-N IPV075 RFID Only, PIV-I/75 Bit FASC-N IPV128 RFID Only, PIV-I/128 Bit FASC-N IPV200 RFID Only, PIV-I/200 Bit FASC-N	B Black	(blank) No SFIC or Blank Plastic Core (Standard) BC SFIC blank (Black plastic core) K1 MEDECO X4 SFIC Cylinder & 2 Keys