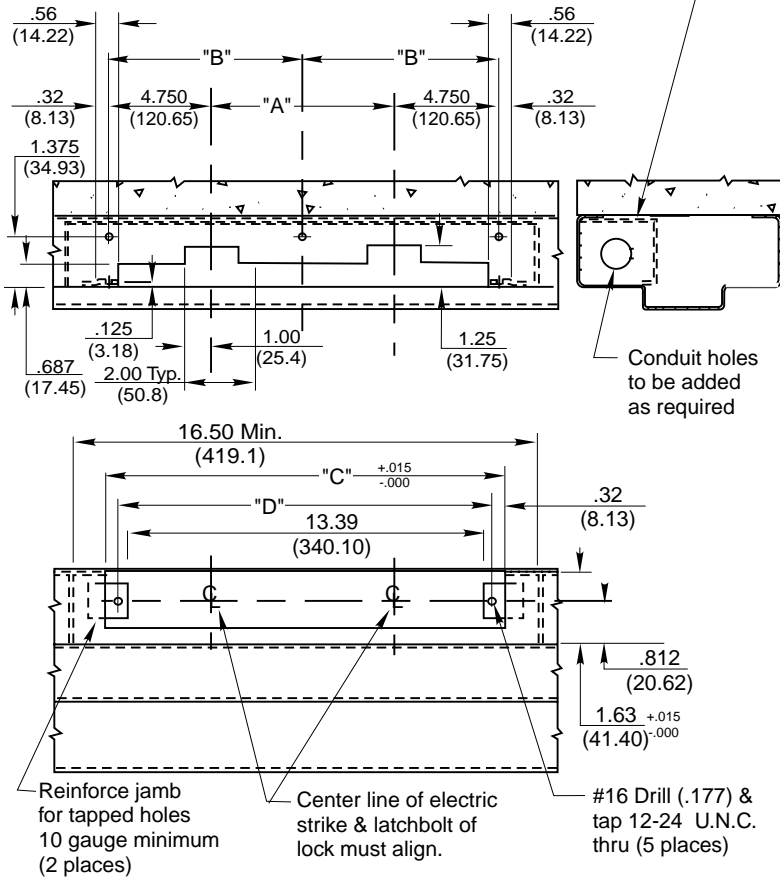


Frame Preparation (Header Application)

Drawing shows only one method of installation. Method of installation may vary per door & frame manufacturer.

Model	"A"	"B"	"C"	"D"
310-6-1	4.375" (111.13)	6.937" (176.20)	14.51" (368.55)	13.875" (352.43)
310-6-2	5.000" (127.00)	7.250" (184.15)	15.14" (384.56)	14.500" (368.30)
310-6-3	5.625" (142.88)	7.562" (192.07)	15.76" (400.30)	15.125" (384.18)
310-6-30	3.000" (76.20)	6.250" (158.75)	13.14" (333.76)	12.500" (317.50)

Back box provided by hollow metal manufacturer to keep dust and dirt out of strike pocket. Construct box in a manner that it will hold its shape.
Minimum material thickness, 16 gauge
Min. height, 1-15/16, Min. depth, 2-1/2 (49.21 x 63.5)

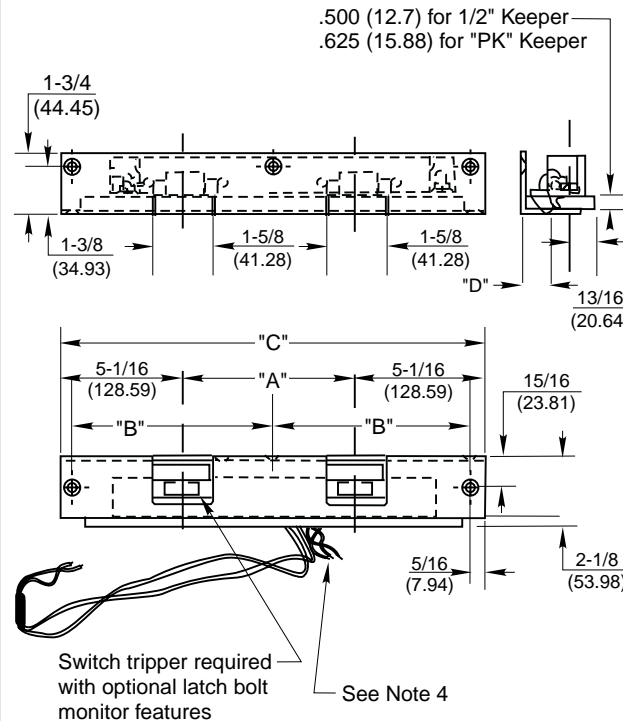


Conduit holes to be added as required

Model 310-6-1, 2, 3, 30 Electric Strike Template

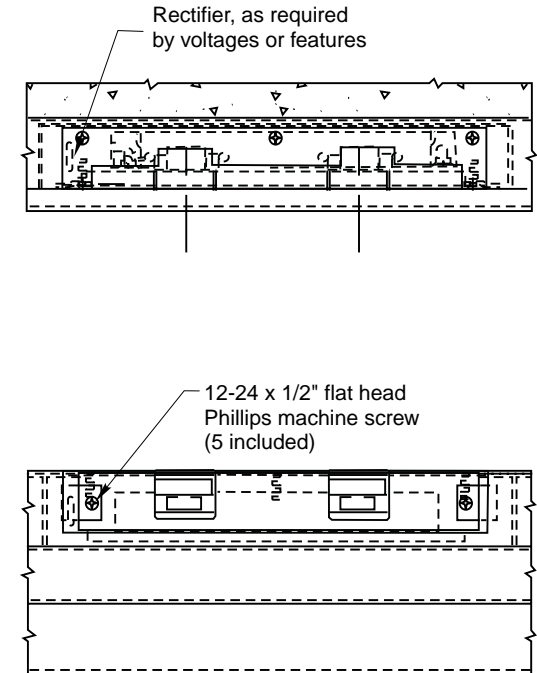
Model	"A"	"B"	"C"
310-6-1	4.375" (111.13)	6.937" (176.20)	14.500" (368.30)
310-6-2	5.000" (127.00)	7.250" (184.15)	15.125" (384.18)
310-6-3	5.625" (142.88)	7.562" (192.07)	15.750" (400.05)
310-6-30	3.000" (76.20)	6.250" (158.75)	13.125" (333.38)

Dimension "D" (keeper position) is adjustable from .812" to 1.00" (20.62-25.4). To adjust, loosen the 12-24 hex hd strike mounting bolts, reposition strike and re-tighten bolts.



NOTES:

- DO NOT SCALE - All dimensions in inches (mm).
- Dimensions subject to change without notice.
- Number of wires will vary per features of strike.
- All wiring connections to be made at this end of strike. If a rectifier (optional) is used, it may be installed at either end of strike.
- Cut off all excess wire not req'd for installation.
- Wires to be run from side & rear of strike to conduit connection.
- Refer to catalog for standard & optional features.
- Door & frame manufacturers are responsible for providing adequate construction or reinforcements for proper installation of hardware.
- Tolerances shown are for cutouts.



310-6-1, 2, 3, 30 Electric Strike 1/2" & PK Keeper

FOLGER ADAM[®]
ELECTRIC DOOR CONTROLS

REF. REPAIR PART DWG.

www.folgeradamedc.com

TEMPLATE NUMBER

092-0245-033

DATE

12-98